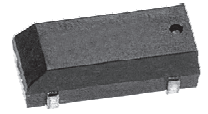
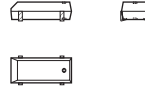




**Specifications**

<b>Package</b>		PCM6R - Miniature Thermoplastic
<b>Frequency Range (fo)</b>		30kHz ~ 150kHz
<b>Frequency Stability</b>	<b>Calib. Tol. @ 25°C</b>	± 50ppm
	<b>Parabolic Coeffic.</b>	-0.034ppm/°C <sup>2</sup> (typ.)
	<b>Aging/Year (fa)</b>	± 5ppm (1 <sup>st</sup> year)
<b>Temp. Range</b>	<b>Turnover (T<sub>o</sub>)</b>	25°C ± 5°C (std.)
	<b>Operating (T<sub>opr</sub>)</b>	-40°C ~ 85°C (std.)
	<b>Storage (T<sub>stc</sub>)</b>	-55°C ~ 125°C (std.)
<b>Drive Level (DL)</b>		1.0 W (max.)
<b>Capacitance</b>	<b>Motional (C<sub>1</sub>)</b>	0.001 ~ 0.004pF (typ.)
	<b>Load (C<sub>L</sub>)</b>	12.5pF (typ.)
	<b>Shunt (C<sub>o</sub>)</b>	0.8 ~ 1.7pF (typ.)
	<b>Ratio (r)</b>	425 ~ 800 (typ.)
<b>Resis- tance</b>	<b>Insulation (I<sub>R</sub>)</b>	500M (min.)
	<b>Shock</b>	± 5ppm (max.)
	<b>Equiv. Series (R<sub>1</sub>)</b>	30 ~ 50k (max.)

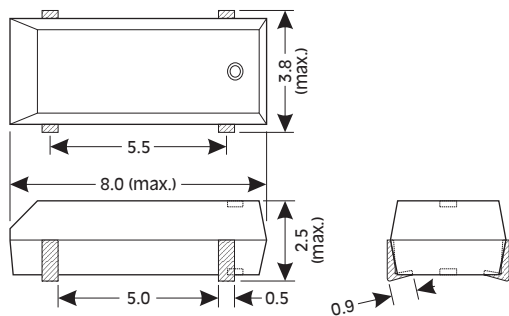
**Actual Size**



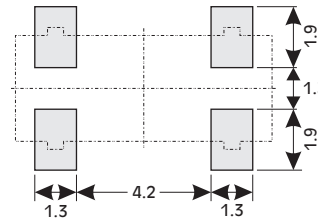
**RoHS Compliant  
Lead Free**



**Dimensions (mm)**



**Recommended Pad (mm)**



SPECIFICATIONS ARE SUBJECT TO CHANGE WITHOUT NOTICE. PLEASE CONTACT YOUR IMPACT SALES REPRESENTATIVE FOR CUSTOM SPECIFICATIONS, CURRENT INFORMATION, PRICING AND AVAILABILITY.