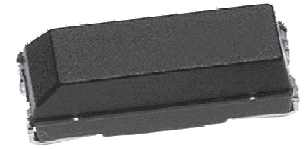
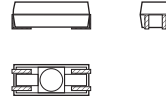




Specifications

Package		PW2AR/PW2BR
Frequency (fo)		32.768kHz
Frequency Stability	Calib. Tol. @ 25°C	± 20ppm (std.)
	Parabolic Coeff.	-0.035 ± 0.008ppm/°C ²
	Aging/Year (fa)	± 3ppm (1 st year)
Temp. Range	Turnover (T_o)	25°C ± 5°C (std.)
	Operating (T_{opr})	-40°C ~ 85°C (std.)
	Storage (T_{stc})	-55°C ~ 125°C (std.)
Drive Level (DL)		1.0 W (max.)
Capacitance	Motional (C₁)	0.002pF (typ.)
	Load (CL)	12.5pF (typ.)
	Shunt (C_o)	1.0pF (typ.)
	Ratio (r)	500 (typ.)
Resis- tance	Insulation (IR)	500M (min.)
	Shock	± 5ppm (max.)
	Equiv. Series (R₁)	50k (max.)

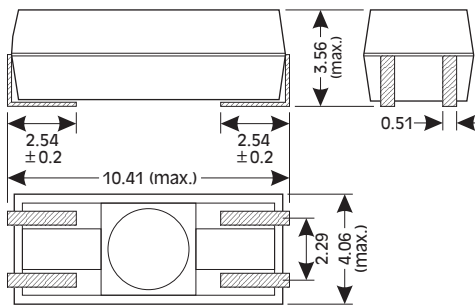
Actual Size



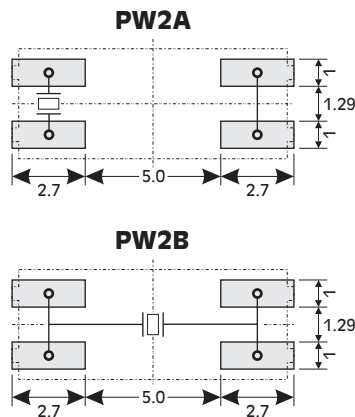
RoHS Compliant Lead Free



Dimensions (mm)



Recommended Pad (mm)



SPECIFICATIONS ARE SUBJECT TO CHANGE WITHOUT NOTICE. PLEASE CONTACT YOUR IMPACT SALES REPRESENTATIVE FOR CUSTOM SPECIFICATIONS, CURRENT INFORMATION, PRICING AND AVAILABILITY.