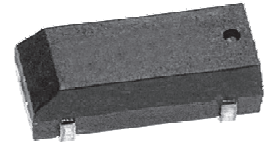
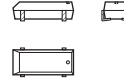




### Specifications

Package		<b>PWM1R</b>
Frequency (fo)		<b>32.768kHz</b>
Frequency Stability	Calib. Tol. @ 25°C	<b>±20ppm (std.)</b>
	Parabolic Coeffic.	<b>-0.034 ±0.006ppm/°C<sup>2</sup></b>
	Aging/Year (fa)	<b>±3ppm (1<sup>st</sup> year)</b>
Temp. Range	Turnover (T <sub>o</sub> )	<b>25°C ±5°C (std.)</b>
	Operating (TOPR)	<b>-40°C~85°C (std.)</b>
	Storage (TSTG)	<b>-55°C~125°C (std.)</b>
Drive Level (DL)		<b>1.0 W (max.)</b>
Capacitance	Motional (C <sub>1</sub> )	<b>0.003pF (typ.)</b>
	Load (CL)	<b>12.5pF (typ.)</b>
	Shunt (C <sub>o</sub> )	<b>1.35pF (typ.)</b>
	Ratio (r)	<b>450 (typ.)</b>
Resis- tance	Insulation (IR)	<b>500M (min.)</b>
	Shock	<b>±5ppm (max.)</b>
	Equiv. Series (R <sub>1</sub> )	<b>50k (max.)</b>

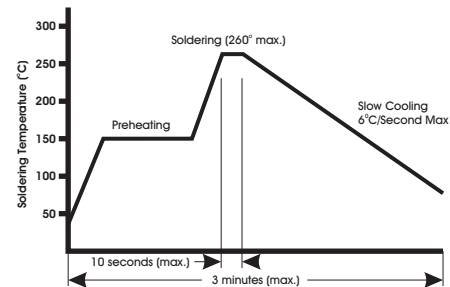
### Actual Size



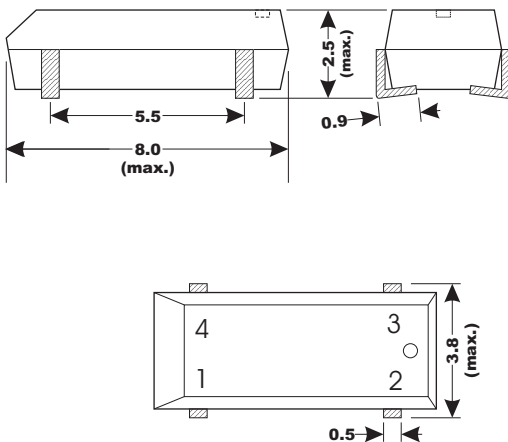
### Features

- ◆ RoHS Compliant / Lead Free
- ◆ Ultra-Miniature SMD for High Density Applications
- ◆ Cylinder-Type Crystal in Heat-Resistant Package
- ◆ Reflow Solder Compatible
- ◆ Emboss Taping Enables Automatic Placement
- ◆ Ideal for Portable Equipment Due to Low

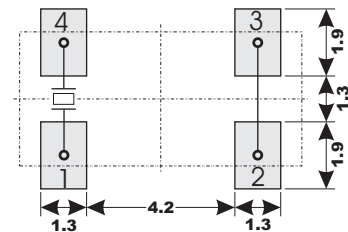
### Reflow Profile



### Dimensions (mm)



### Recommended Pad (mm)



Crystal Connection  
Pin 1/4