



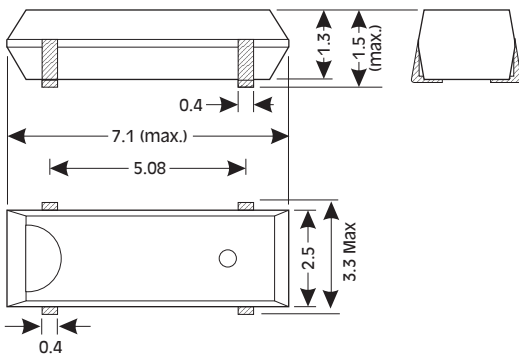
Specifications

Part Number		PWM6R
Frequency (fo)		32.768kHz
Frequency Stability	Calib. Tol. @ 25°C	± 20ppm (std.)
	Parabolic Coeffic.	-0.04ppm/°C ²
	Aging/Year (fa)	± 3ppm (1 st year)
Temp. Range	Turnover (T_o)	25°C ± 5°C (std.)
	Operating (T_{opr})	-40°C ~ 85°C (std.)
	Storage (T_{stc})	-55°C ~ 125°C (std.)
Drive Level (DL)		1.0 W (max.)
Capacitance	Motional (C₁)	0.0018pF (typ.)
	Load (C_L)	12.5pF (typ. max.)
	Shunt (C_o)	0.80pF (typ.)
	Ratio (r)	500 (typ.)
Resis- tance	Insulation (I_R)	500M (min.)
	Shock	± 5ppm (max.)
	Mot. Series (R₁)	65k (max.)

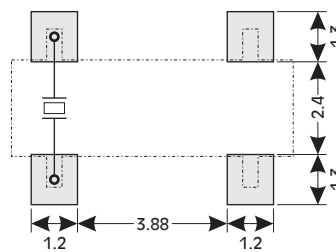
**RoHS Compliant
Lead Free**



Dimensions (mm)



Recommended Pad (mm)



SPECIFICATIONS ARE SUBJECT TO CHANGE WITHOUT NOTICE. PLEASE CONTACT YOUR IMPACT SALES REPRESENTATIVE FOR CUSTOM SPECIFICATIONS, CURRENT INFORMATION, PRICING AND AVAILABILITY.